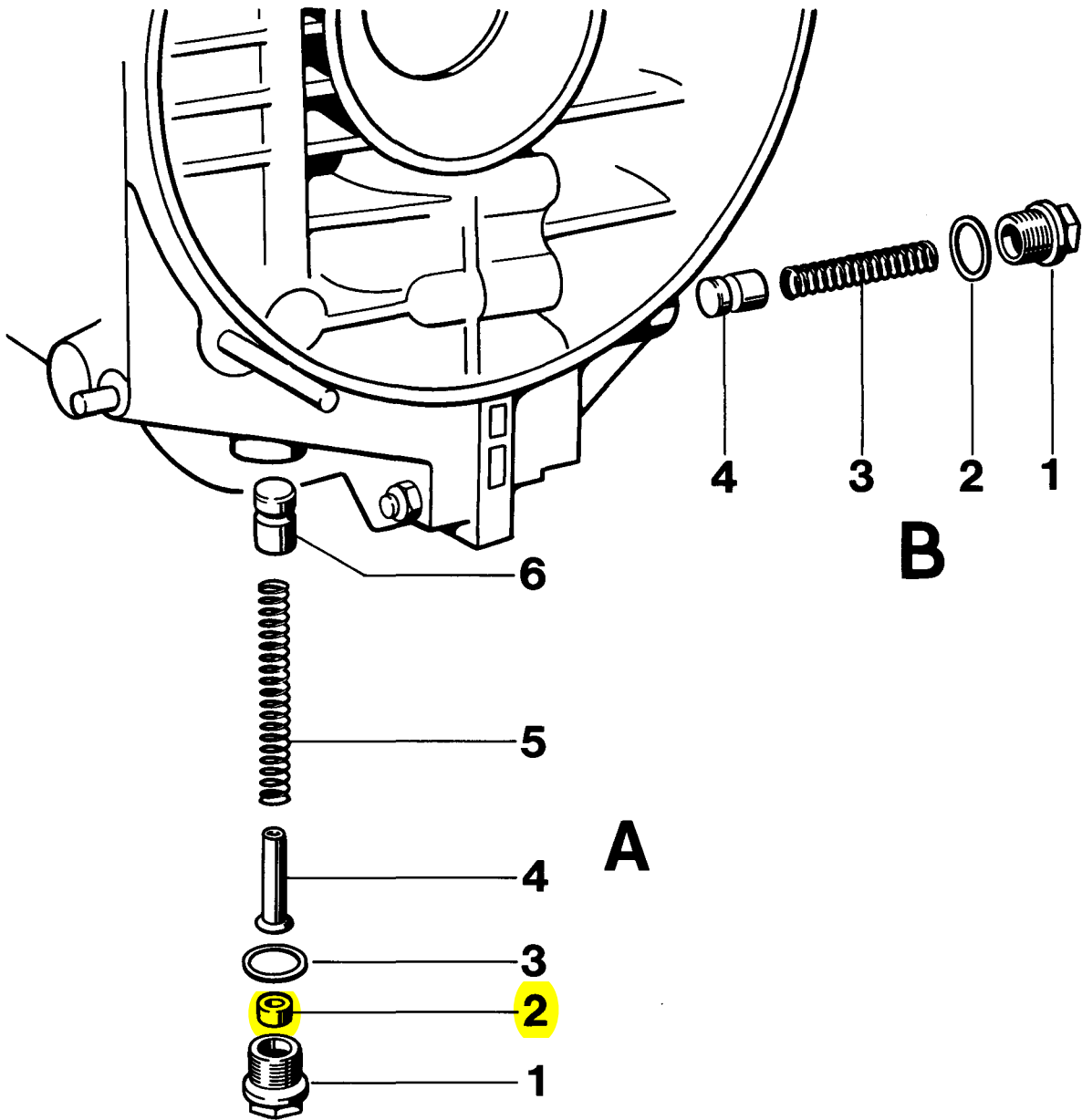


Assignment - Relief valve - Safety valve **FOR 964/993 ONLY!!!**



432-17

No.	Designation	Qty.	Note:	
			Removal	Installation
	<b>Relief valve A</b> (Crankcase half, right)			
1	Screw plug M 18 x 1.5	1		Tightening torque 60 Nm
2	Spacer ring	1		
3	Sealing ring A 18 x 24	1		Renew
4	Guide bush	1		
5	Pressure spring 89 mm	1		
6	Piston	1		Examine piston and bore in case for score grooves, carefully remove score grooves or replace piston if necessary.
	<b>Safety valve B</b> (crankcase half, left)			
1	Screw plug M 18x1,5	1		Tightening torque 60 Nm
2	Sealing ring A 18x24	1		Renew
3	Pressure spring 70 mm long	1		
4	Piston	1		Examine piston and bore in case for score grooves, carefully remove score grooves or replace piston if necessary